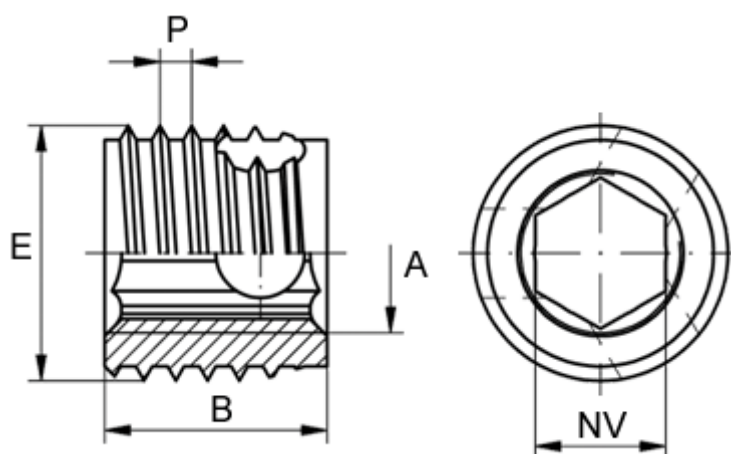


Article number: 12307200040110

Description: KLEE-coil 307 200 040.110

M4 Hardened/zinc-plated steel with hexagon

Measures



Female thread A	= M4
Length B	= 6
Male thread E	= 6.5
Min hole depth blind hole	= 8
Min material thickness	= 6
sw	= -
Thread pitch P	= 0.8
Type	= 307 200 040 ...